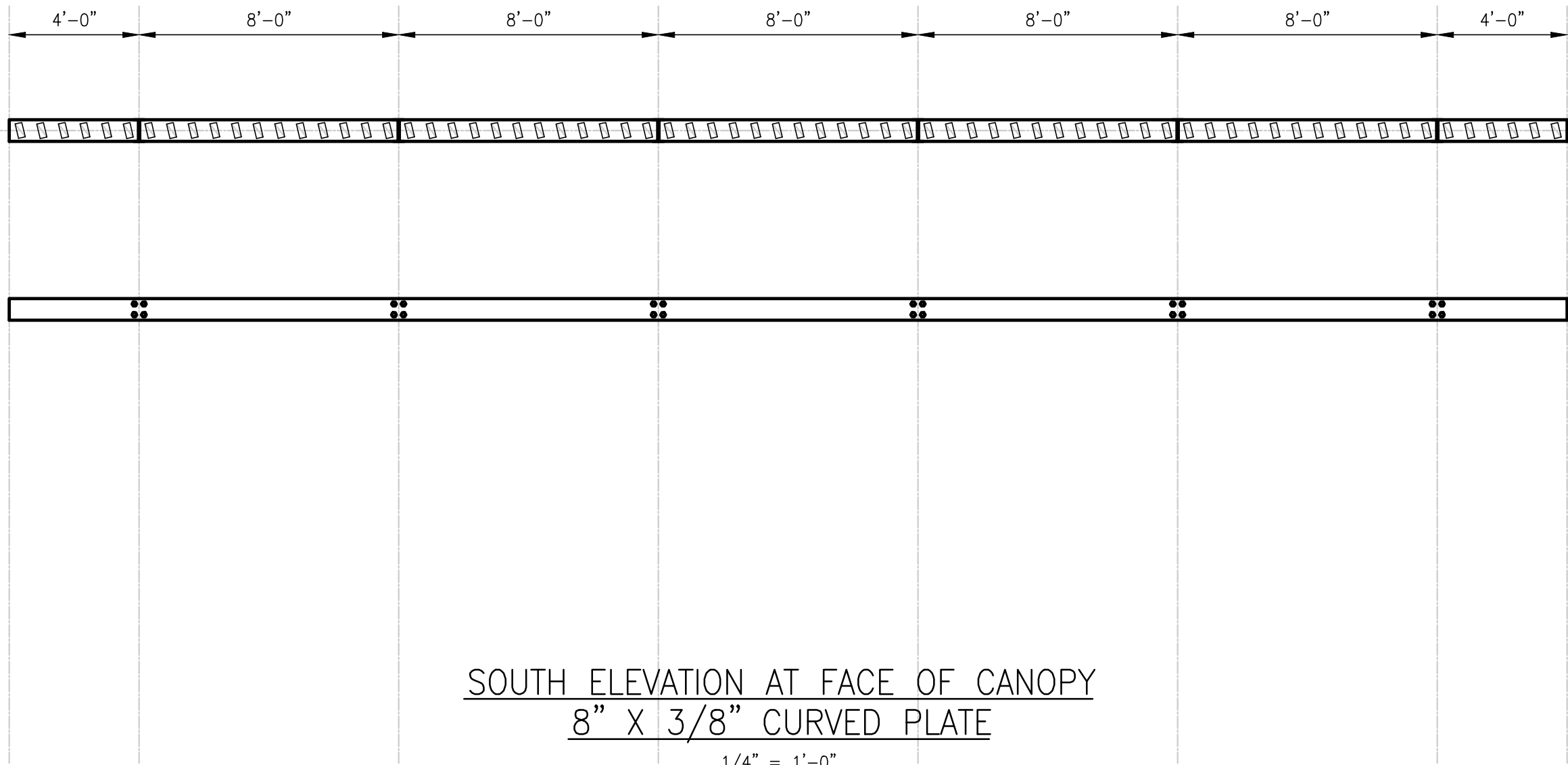
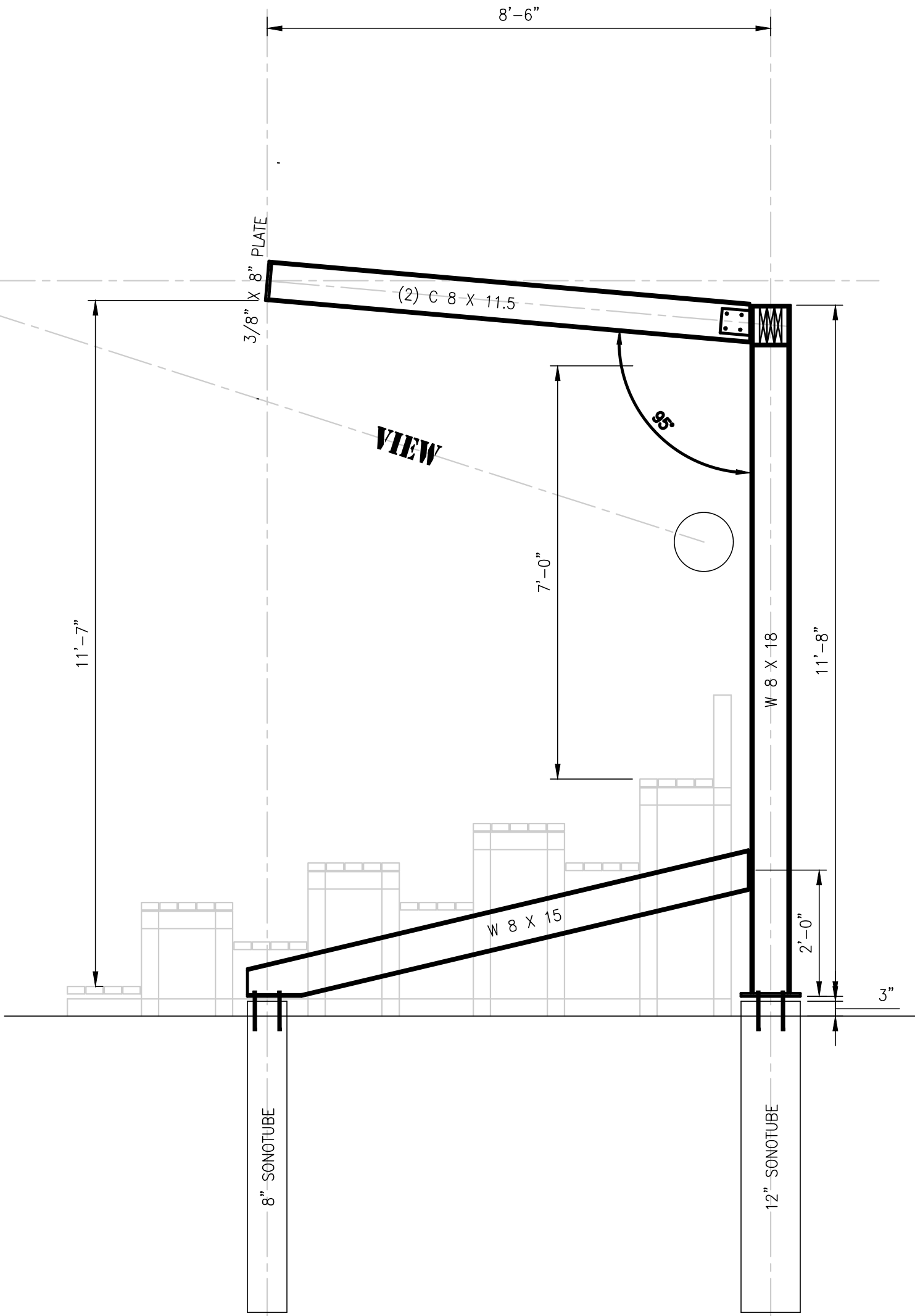


SK - 1

May 20, 2020 at 2:28 PM

Bleacher Cover 2.1.r3d



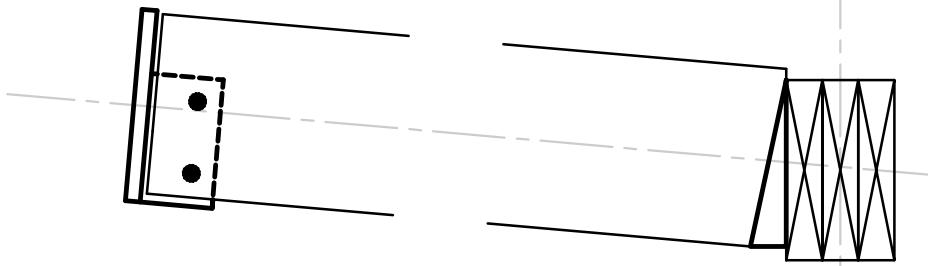


STEEL SUPPORT AT 8' OC
(6 TOTAL)

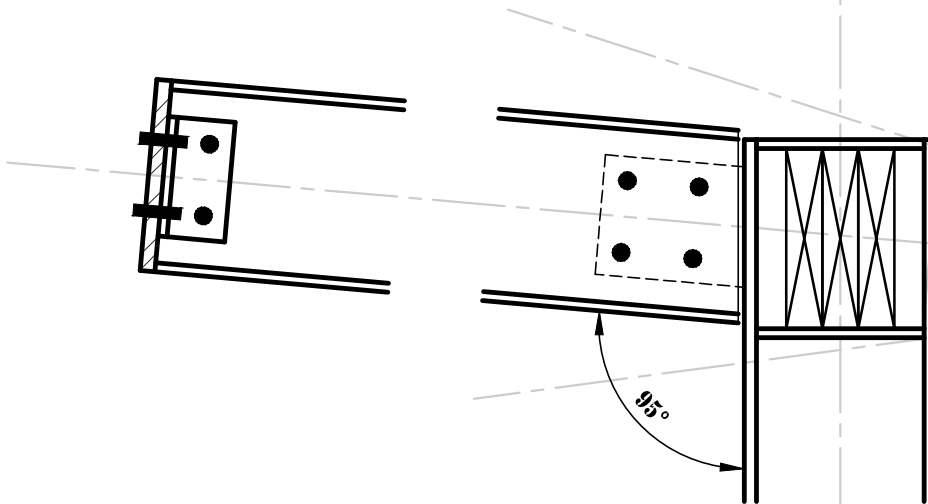
1/2" = 1'-0"

AT (3) 3X8 HEADERS, PROVIDE STANDARD 3X8 FACE MOUNTED GALVANIZED JOIST HANGER AT EACH 3X8 RAFTER.

AT EDGE PLATE, PROVIDE $\frac{1}{4}$ " X 5" PLATES (AT SKEWED ANGLE OF JOISTS) AT EACH 3X8. PROVIDE (2) $\frac{1}{4}$ " LAG BOLTS AT EACH RAFTER



BETWEEN COLUMNS



(3) 3X8 BEAMS (EAST-WEST) TO SUPPORT SLOPING 3X8

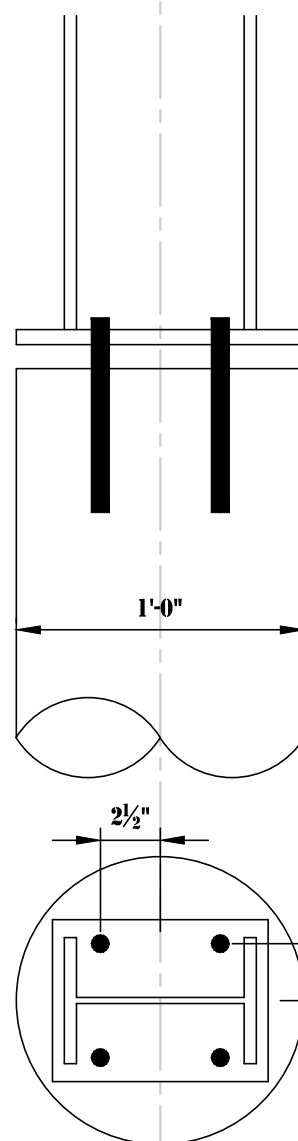
$\frac{3}{8}$ " STIFFENER PLATES IN WEB OF W8 AT TOP AND BOTTOM OF 3X8 FRAMING

$\frac{3}{8}$ " SHEAR TAB 6" X 6" WITH (4) $\frac{3}{4}$ " DIAMETER A325SC BOLTS

ANGLE OF SHEAR TAB SET BY CANTILEVERED END OF DOUBLE CHANNELS

AT EDGE PLATE, PROVIDE (2) L4X3.5X $\frac{1}{4}$ " X 5 $\frac{1}{2}$ " LONG SHEAR ANGLES WITH (2) $\frac{5}{8}$ " BOLTS ON WEB AND THROUGH PLATE (BOLTS SHOULD BE VISIBLE ON OUTSIDE OF PLATE)

AT COLUMN



W 8 X 18

7" X 9" X $\frac{5}{8}$ " BASE PLATE

$\frac{3}{4}$ " DIAMETER ANCHOR BOLTS, EMBED 12" WITH DOUBLE WASHER

1" NON-SHRINK GROUT (MIN)

12" DIAMETER SONOTUBE TO 4' DEEP, MIN.

1'-0"

2 $\frac{1}{2}$ "

2 $\frac{1}{2}$ "